

/ SCREENING

Komptech Nemus 2700

DIESEL-HYDRAULIC MOBILE
TROMMEL SCREEN



MASTER DISTRIBUTOR OF KOMPTECH

Engineered with flexibility and functionality first.



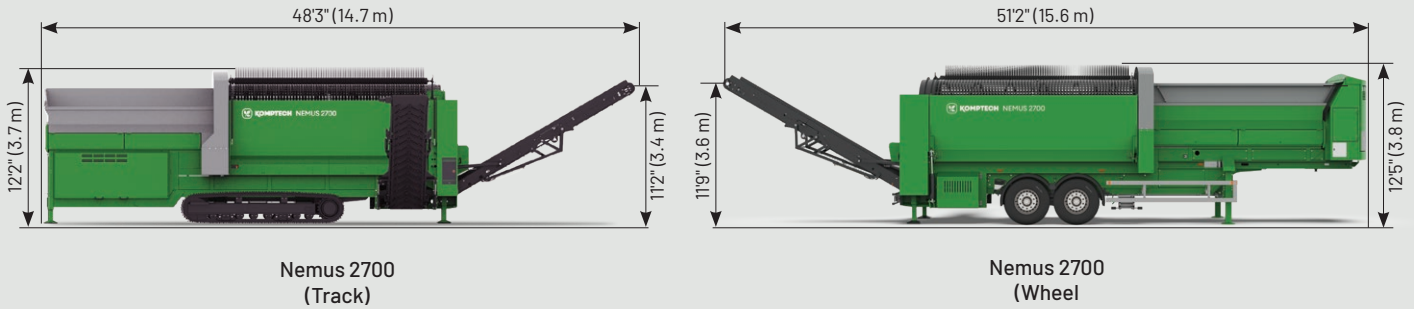
This heavy-duty, 99 HP wheel or track trommel screen efficiently separates soil, mulch and compost while pushing production.

/ QUICK STATS

- Put it to work on compost, mulch, soils, C&D fines, MSW, and food waste
- Screen up to 230 yd³/hr with the efficient material feed and high-performance discharge system
- Clean and separated high-value compost, soil, and mulch products



The Nemus 2700 trommel screen is available in both wheel and track chassis to meet your operation's unique performance needs:



KOMPTECH NEMUS 2700 / Technical Specifications

Machine Model	Nemus 2700
Power	
Diesel Engine / Horsepower	Perkins Tier 4 Final / 99 HP
Proportion	
Transport Dimensions (LxWxH):	Trailer - 39'1" x 8'2" x 13'1" (11.9 x 2.5 x 4 m) Track - 34'5" x 9'10" x 12'2" (10.5 x 3 x 3.7 m)
Working Dimensions (LxWxH):	Trailer - 51'2" x 20'11" x 12'5" (15.6 x 6.4 x 3.8 m) Track - 48'3" x 19'8" x 12'2" (14.7 x 6.7 x 3.7 m)
Hopper Volume:	>6.5 yd ³ (>5 m ³ /hr)
Drum Diameter / Length / Screening Area:	6'7" / 18' / 323 ft ²
Weight:	~44,000 lbs (Trailer) / ~52,000 (Track)
Performance (dependent on material)	
Maximum Throughput:	~230 yd ³ /hr (~175 m ³ /hr)

Think Viably for industry expertise, world-class products, parts, service, and support.

Wherever you work.



CONSTRUCTION AND DEMOLITION (C&D)



MUNICIPAL SOLID WASTE (MSW)



ORGANICS WASTE



SINGLE-STREAM RECYCLING



Scan to see the Nemus 2700 in action >

